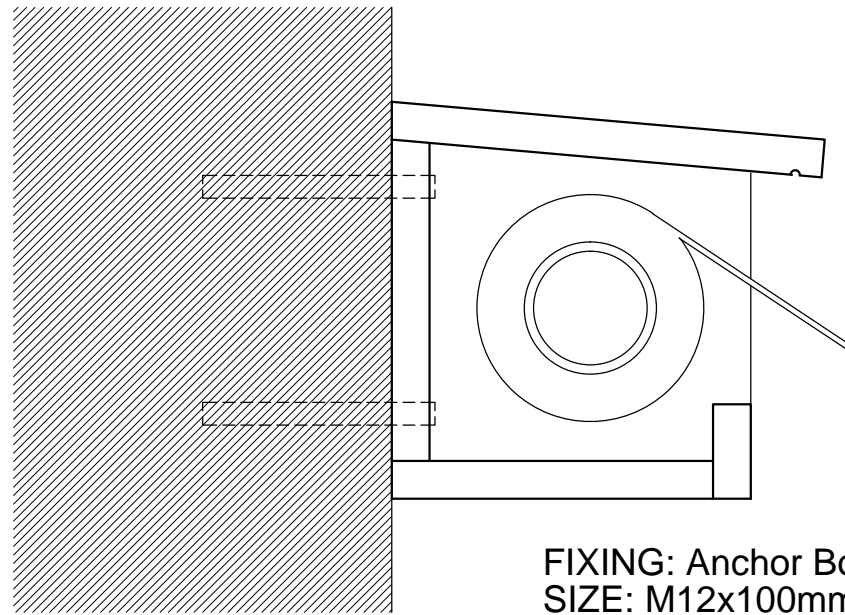


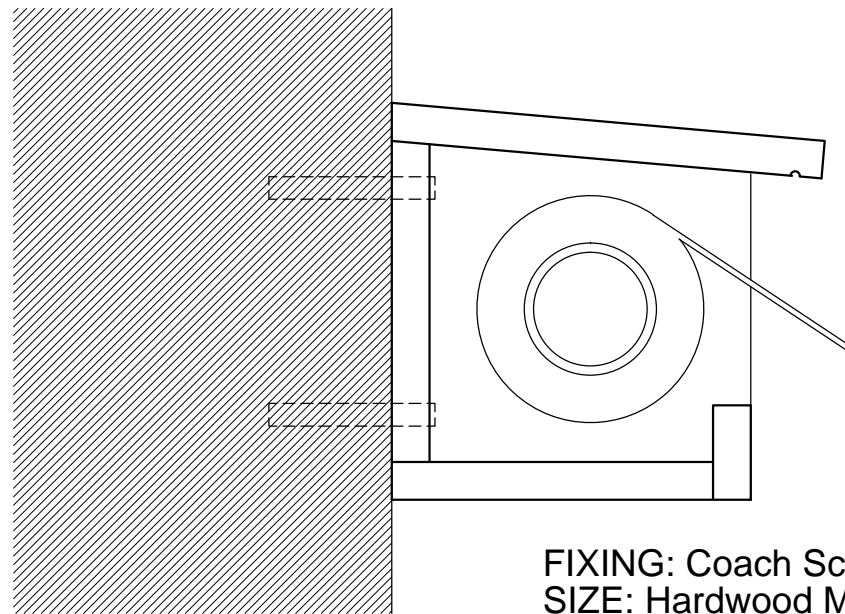
VICTORIAN AWNING | Timber Box, 190x210mm (max width up to 6.5m)

MATERIAL: Brickwork / Concrete



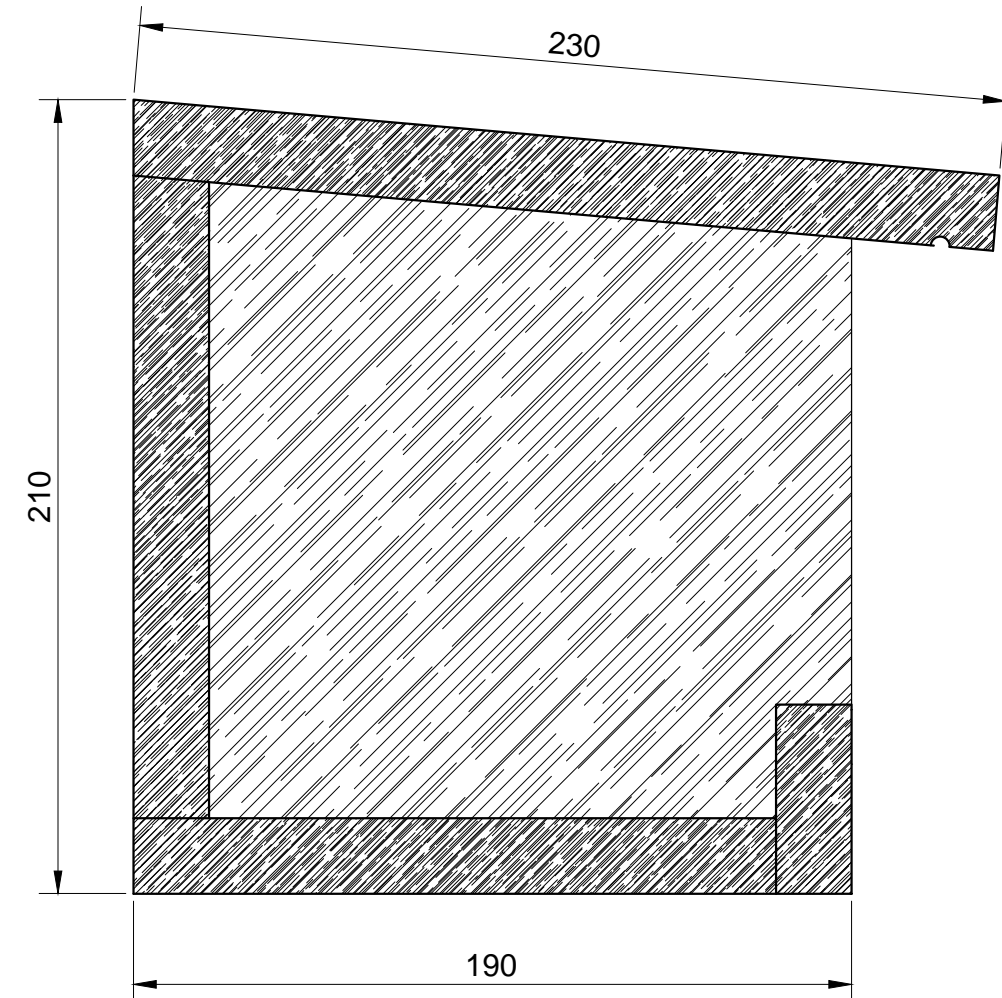
FIXING: Anchor Bolt
SIZE: M12x100mm

MATERIAL: Timber (Hardwood 50mm min / Softwood 75mm min)



FIXING: Coach Screw
SIZE: Hardwood M12x65mm / Softwood M12x80mm)

Typical box section | 1:2@A3



Fixing Positions: Aproximately 100mm from the ends of the box and every 1000mm along the length.

The above is for guidance only. All projects to be evaluated via site survey.

MORCO | 
AWNINGS

Riverside - Lombard Wall
London - SE7 7SG
020 8858 2083 / info@morcoblinds.co.uk

VISUAL TITLE
VICTORIAN AWNING
Timber Box, 190x210mm

DATE
Dec '15

PAGE NO. 01	REVISION A
----------------	---------------

Artwork is only an impression of how an awning could look and is not accurate in scale or colour.
All rights remain the property of Riverside Works Ltd.