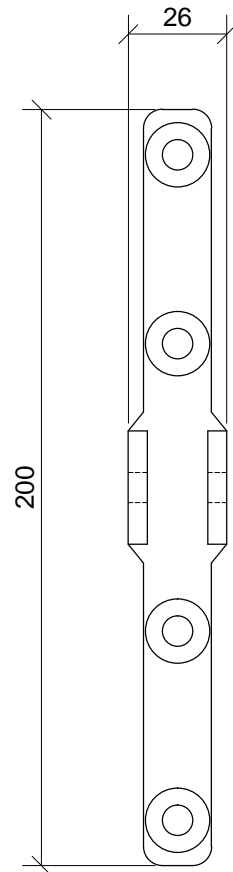


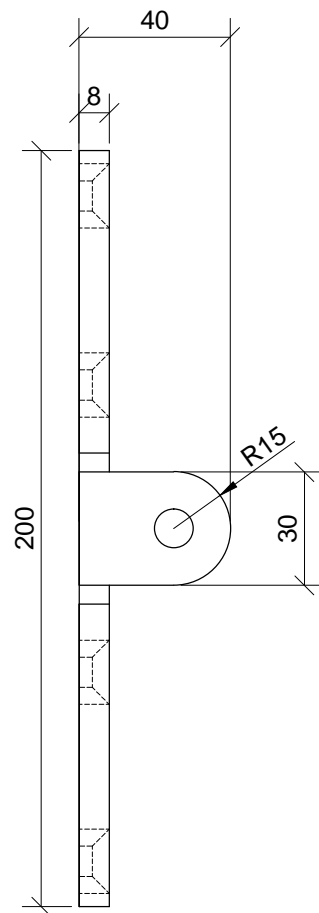
# VICTORIAN AWNING | Front Shoe Bracket

## ORTHOGRAPHIC PROJECTION

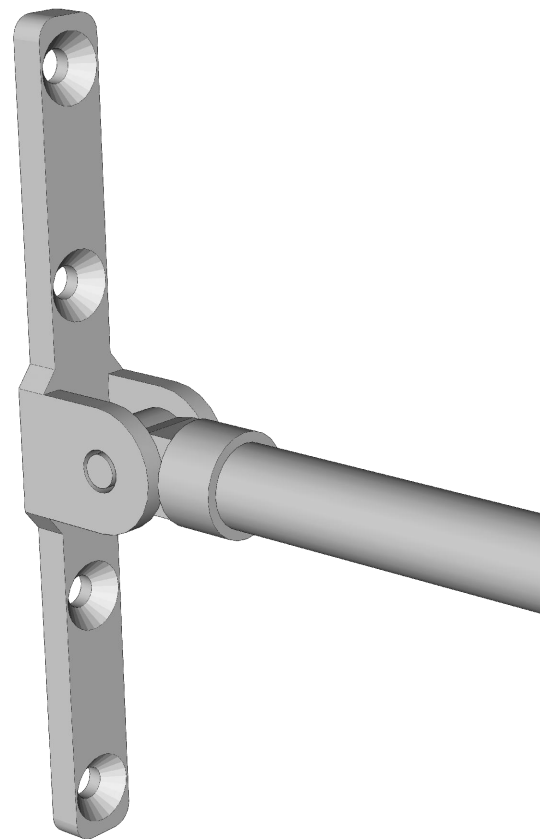
FRONT ELEVATION



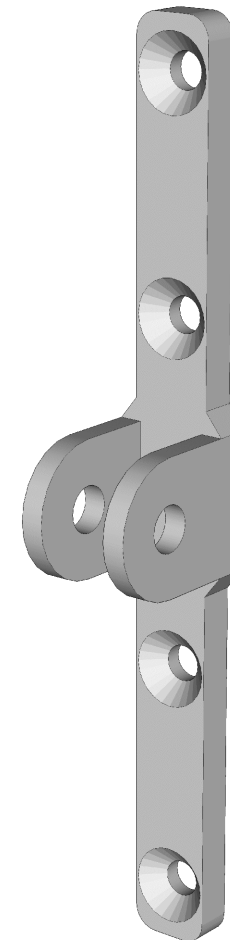
SIDE PROFILE



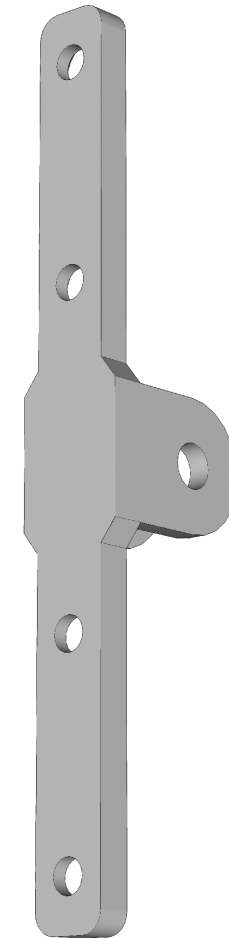
GENERAL VIEW  
(Showing Bracket and Arm)



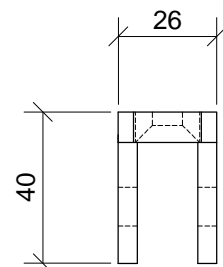
FRONT VIEW



REAR VIEW



PLAN VIEW



SCALE 1:2@A3 25mm 0 100 200mm

\*Note: Fixing height = Box height - min. head clearance (2.2m)

**MORCO** |   
AWNINGS

Riverside - Lombard Wall  
London - SE7 7SG  
020 8858 2083 / info@morcoblinds.co.uk

VISUAL TITLE  
**VICTORIAN AWNING**  
Front Shoe Bracket

DATE  
Dec '15

PAGE NO.  
01

REVISION  
A

Artwork is only an impression of how an awning could look and is not accurate in scale or colour.  
All rights remain the property of Riverside Works Ltd.