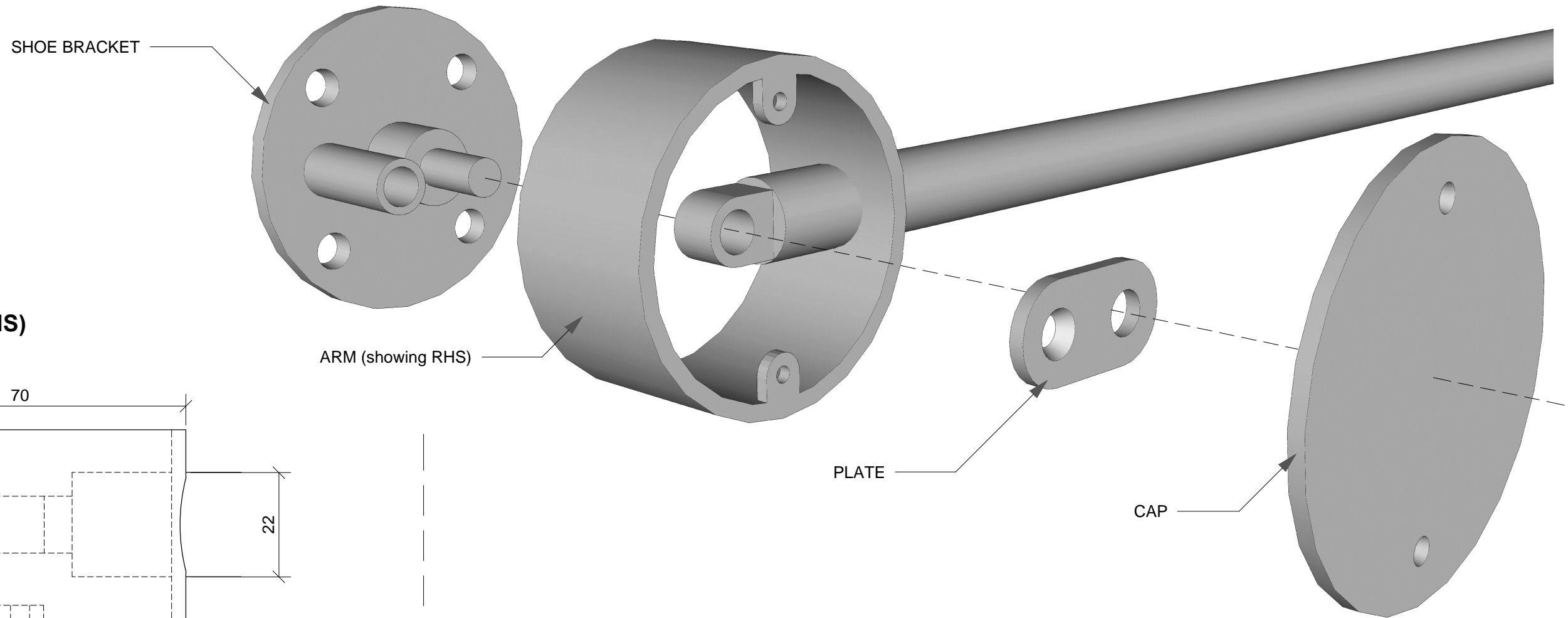


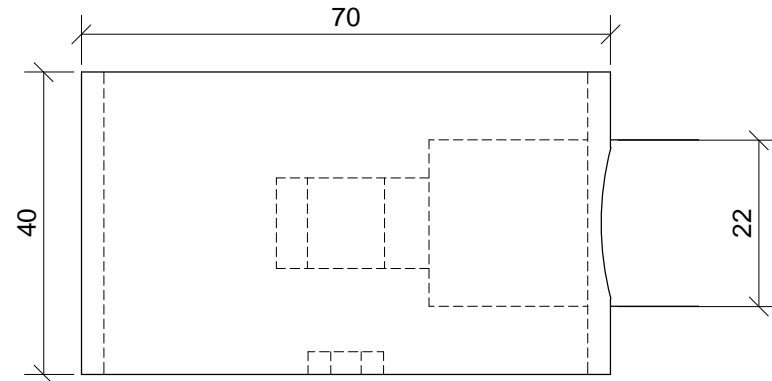
VICTORIAN AWNING | Circular Side Shoe Bracket I

PERSPECTIVE VIEW

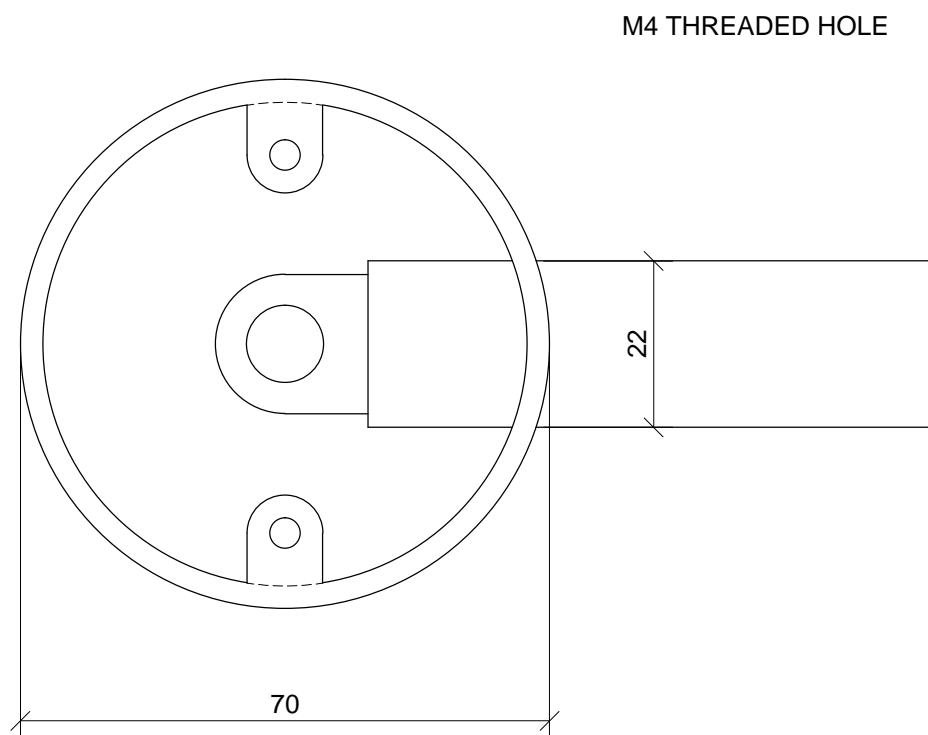


ARM (showing RHS)

PLAN VIEW

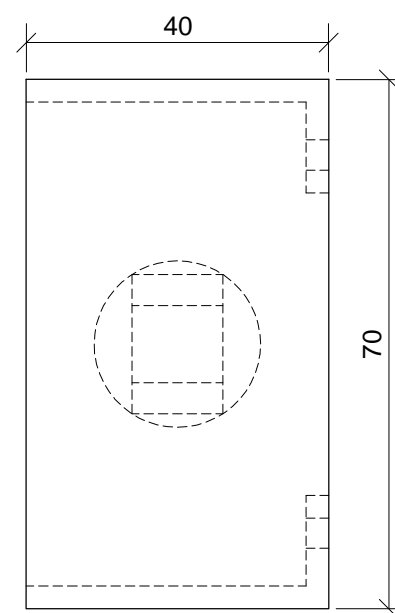


FRONT VIEW



M4 THREADED HOLE

LEFT ELEVATION



SCALE 1:1@A3 10mm 0 50 100mm

*Note: Fixing height = Box height - min. head clearance (2.2m)

MORCO
AWNINGS

Riverside - Lombard Wall
London - SE7 7SG
020 8858 2083 / info@morcoblinds.co.uk

VISUAL TITLE
VICTORIAN AWNING
Circular Side Shoe Bracket I

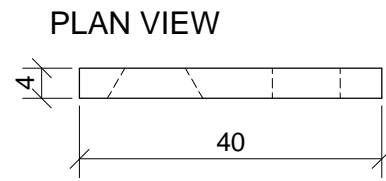
DATE
Dec '15

PAGE NO. 01	REVISION A
----------------	---------------

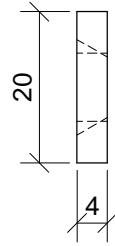
Artwork is only an impression of how an awning could look and is not accurate in scale or colour.
All rights remain the property of Riverside Works Ltd.

VICTORIAN AWNING | Circular Side Shoe Bracket II

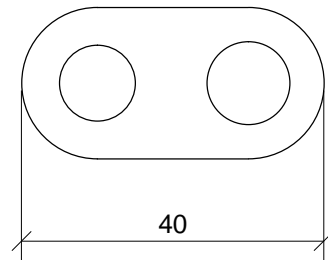
PLATE



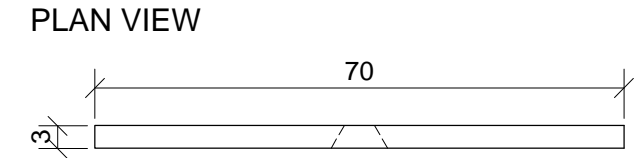
RIGHT ELEVATION



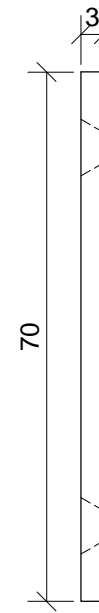
FRONT VIEW



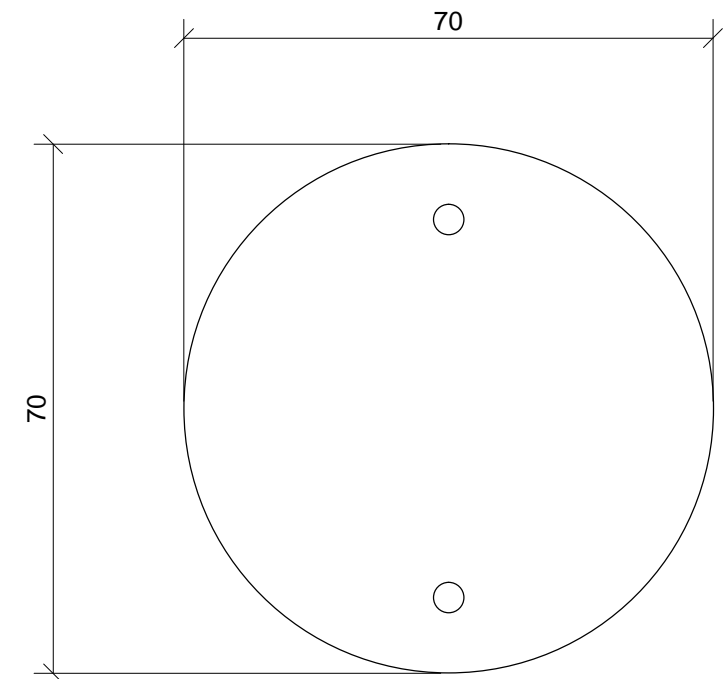
CAP



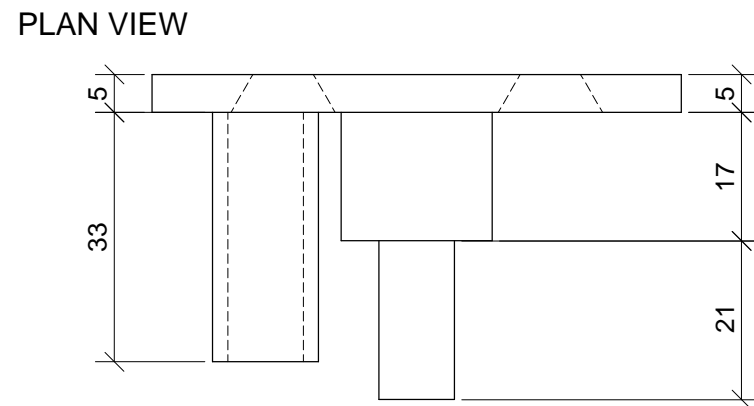
RIGHT ELEVATION



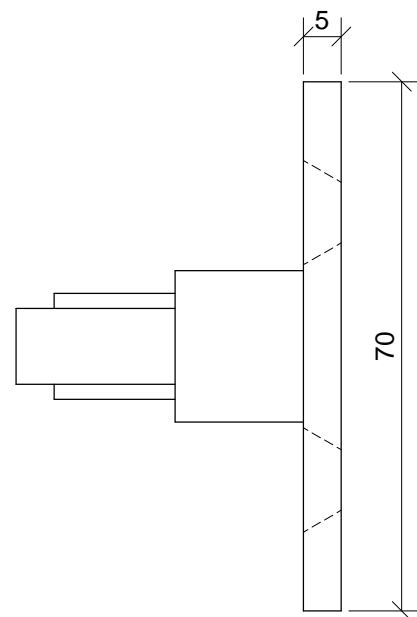
FRONT VIEW



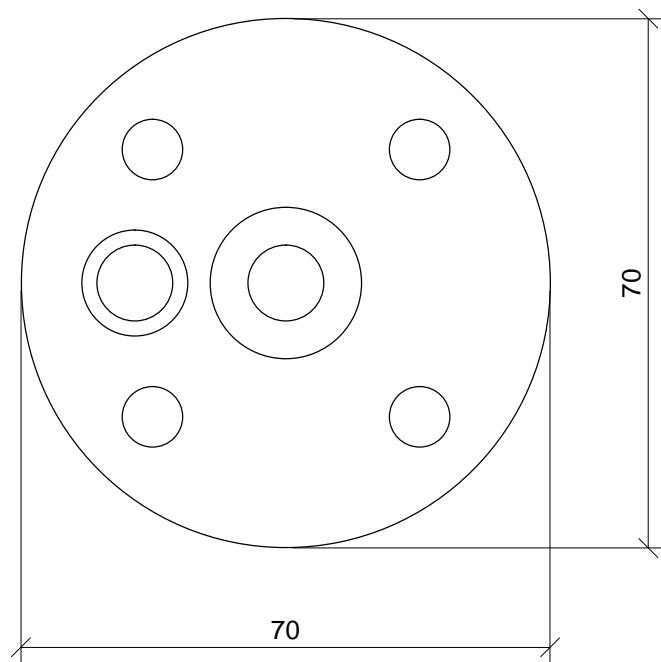
SHOE BRACKET



RIGHT ELEVATION



FRONT VIEW



*Note: Fixing height = Box height - min. head clearance (2.2m)

MORCO | 
AWNINGS

Riverside - Lombard Wall
London - SE7 7SG
020 8858 2083 / info@morcoblinds.co.uk

VISUAL TITLE
VICTORIAN AWNING
Circular Side Shoe Bracket II

DATE
Dec '15

PAGE NO. 02	REVISION A
----------------	---------------

Artwork is only an impression of how an awning could look and is not accurate in scale or colour.
All rights remain the property of Riverside Works Ltd.

SCALE 1:1@A3 