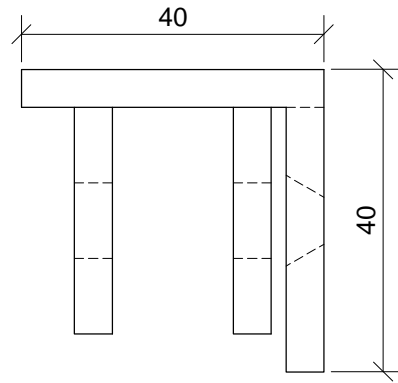


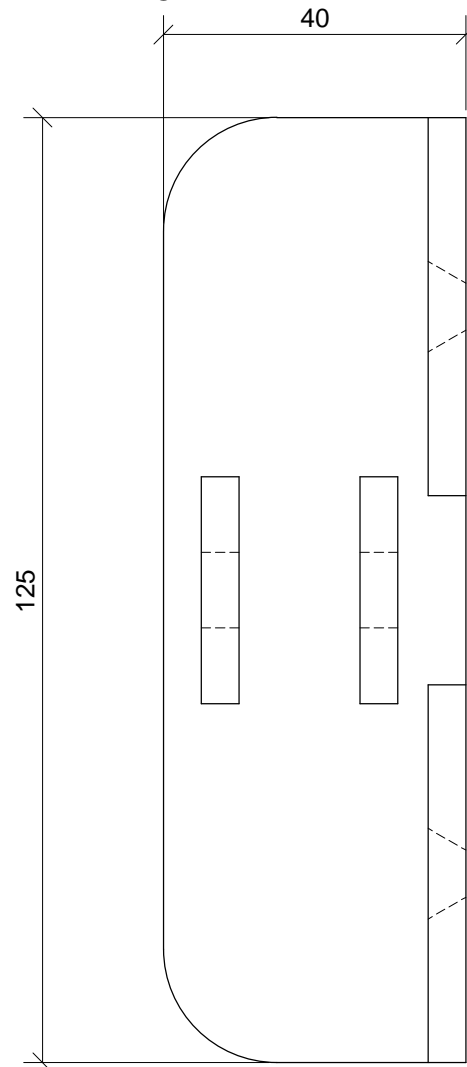
MARLESBURY AWNING | Side Shoe Bracket with front Wing

ORTHOGRAPHIC PROJECTION

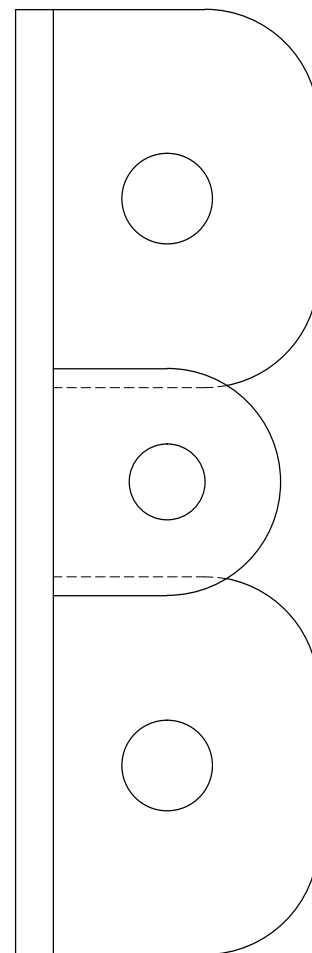
PLAN VIEW



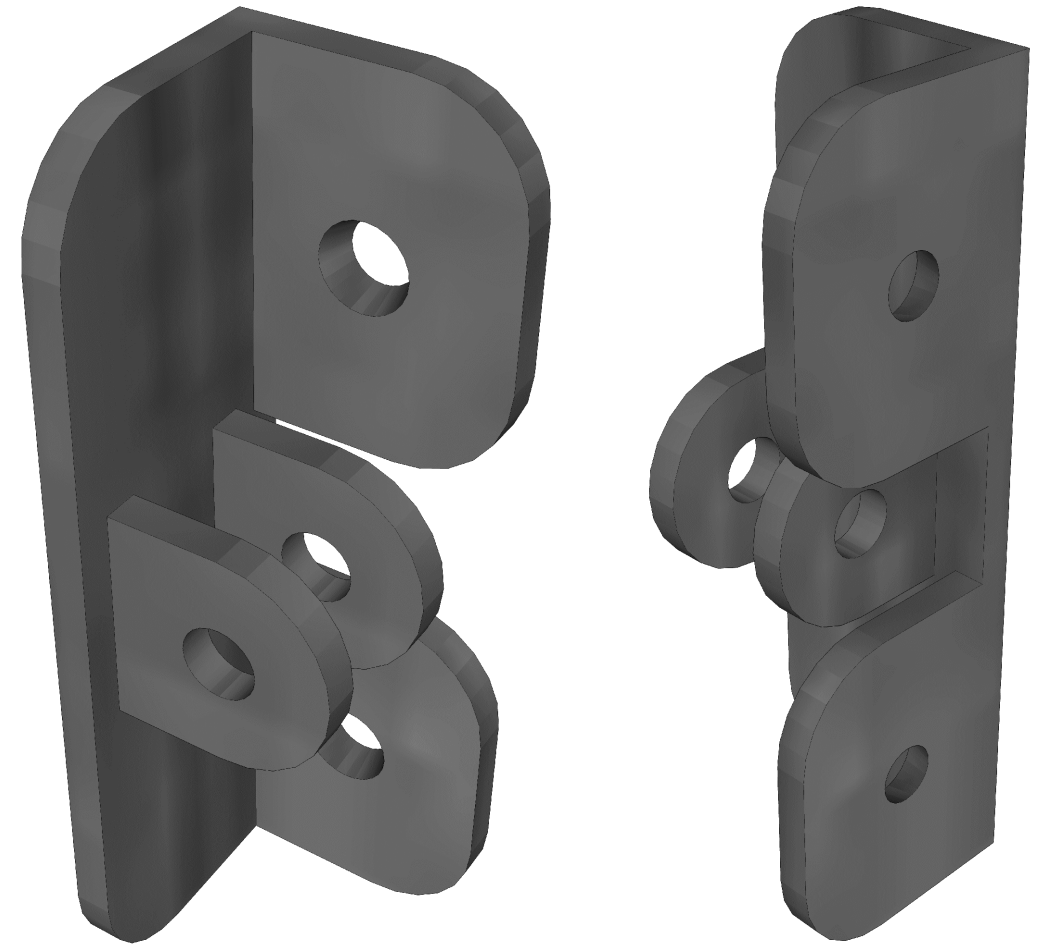
FRONT ELEVATION



SIDE ELEVATION



PERSPECTIVE VIEWS



*Note: Fixing height = Box height - min. head clearance (2.2m)

SCALE 1:1@A3 10mm 0 50 100mm

MORCO | 
AWNINGS

Riverside - Lombard Wall
London - SE7 7SG
020 8858 2083 / info@morcoblinds.co.uk

VISUAL TITLE

MARLESBURY AWNING
Side Shoe Bracket with front Wing

DATE

Jan '16

PAGE NO.

01

REVISION

A

Artwork is only an impression of how an awning could look and is not accurate in scale or colour.

All rights remain the property of Riverside Works Ltd.